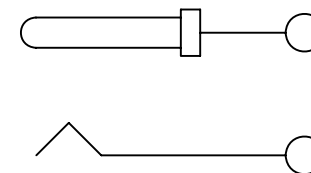
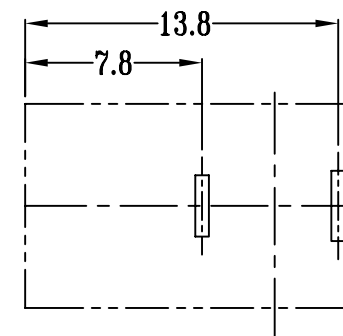
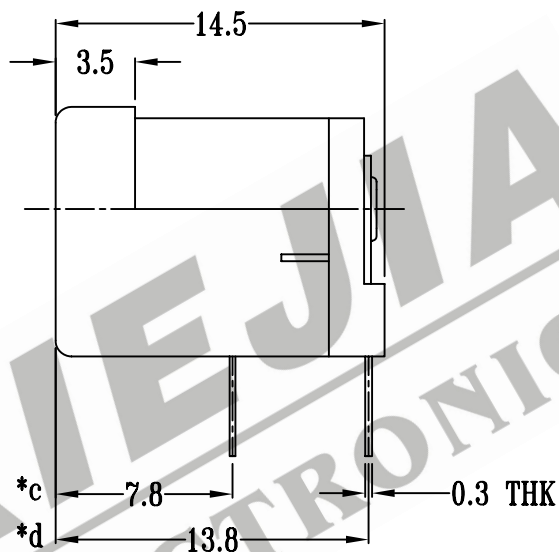
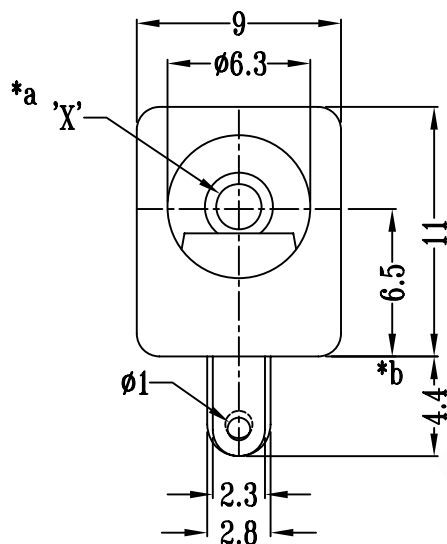


CAD FILE:



SCHEMATIC



P.C.B LAYOUT

XIEJIA ELECTRONICS

注:带"*"表示关键尺寸(4个)

DIA. OF PIN 'X' A=2.5mm
DIA. OF PIN 'X' B=2.0mm
DIA. OF PIN 'X' C=2.35mm

NO.	PARTS	MATERIALS	Q'TY	FINISH	TOLERANCE UNLESS SPECIFIED	SHENZHEN XIEJIA ELECTRONICS CO.,LTD.																			
8						<table border="1"> <tr> <td>ISSUE</td> <td>DATE</td> <td colspan="2">DESCRIPTIONS OF REVISION</td> <td>APPD.</td> </tr> </table>				ISSUE	DATE	DESCRIPTIONS OF REVISION		APPD.											
ISSUE	DATE	DESCRIPTIONS OF REVISION		APPD.																					
7																									
6	POSITION PLATE	BRASS STRIP	1	Ag PLATED OVER Ni PLATED	WITHIN: 1.5±0.1mm OVER : 1.5±0.2mm	<table border="1"> <tr> <td>UNIT : mm</td> <td colspan="3">DRWG NO.: XJ-DR-DS211-00</td> </tr> <tr> <td>SCALE: 3:1</td> <td>DWN.</td> <td>ZHOUYU</td> <td>2005-8-16</td> </tr> <tr> <td></td> <td>CHK'D</td> <td>FANGYING</td> <td>2005-8-16</td> </tr> <tr> <td></td> <td>APPD.</td> <td>KANGXINAN</td> <td>2005-8-16</td> </tr> </table>				UNIT : mm	DRWG NO.: XJ-DR-DS211-00			SCALE: 3:1	DWN.	ZHOUYU	2005-8-16		CHK'D	FANGYING	2005-8-16		APPD.	KANGXINAN	2005-8-16
UNIT : mm	DRWG NO.: XJ-DR-DS211-00																								
SCALE: 3:1	DWN.	ZHOUYU	2005-8-16																						
	CHK'D	FANGYING	2005-8-16																						
	APPD.	KANGXINAN	2005-8-16																						
5	PLUG PIN	BRASS STRIP	1	Ni PLATED																					
4	CONTACT	BRASS STRIP	1	Ag PLATED OVER Ni PLATED																					
3	SPRING TERMINAL	PBS/STAINLESS STEEL	1	Ag PLATED OVER Ni PLATED																					
2	COVER	PC	1	BLACK																					
1	CASE	PC	1	BLACK																					
					ALL MATERIALS MUST BE COMPLIANT TO ROHS																				